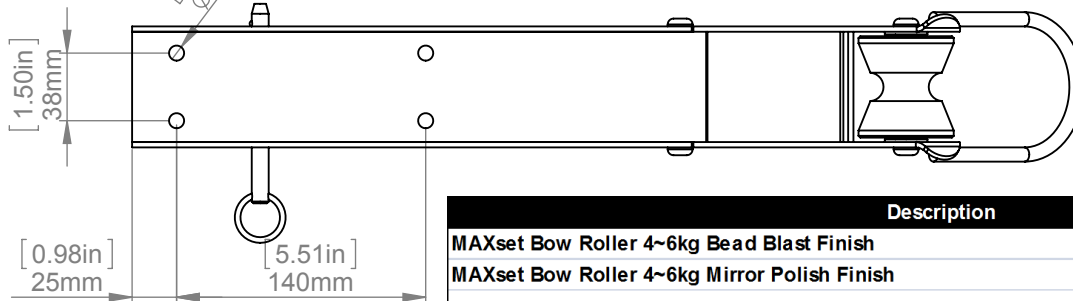
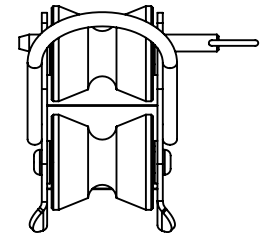
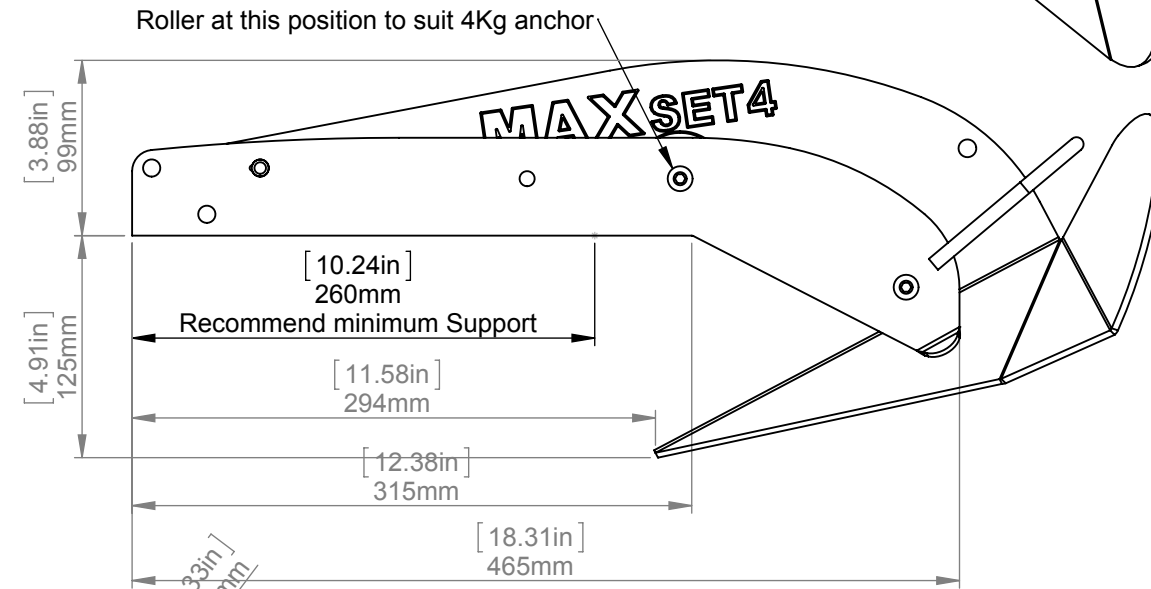
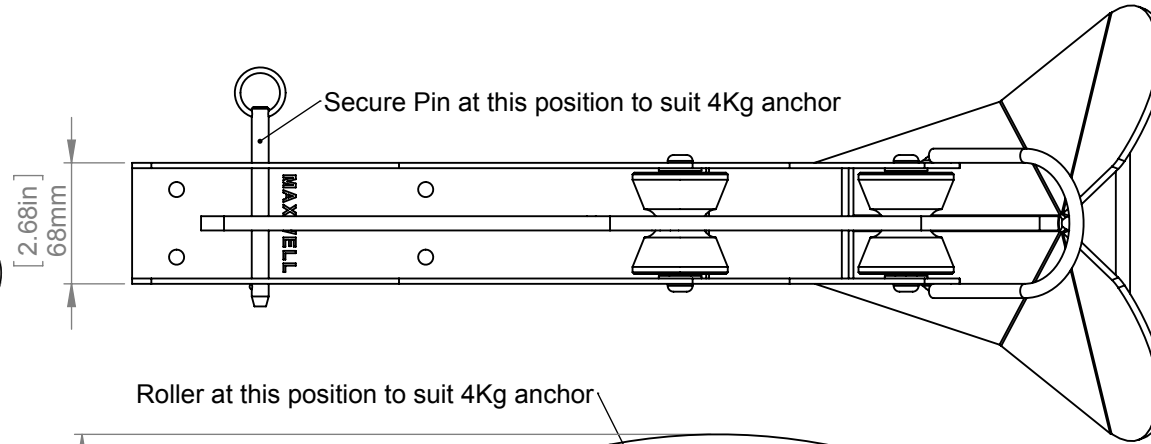
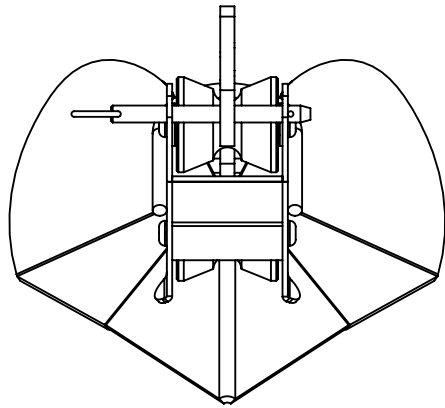
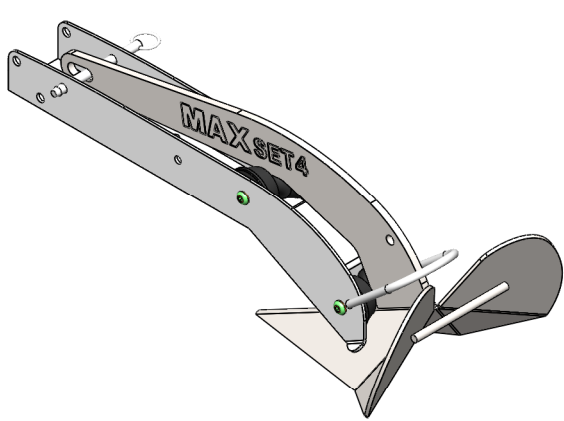


This drawing is protected by copyright and the design and or details contained therein are the confidential property of MAXWELL MARINE INTERNATIONAL LTD. This drawing must be returned upon demand and must not be copied, loaned or have its contents communicated to any other persons, including subcontractors, without the consent in writing from Maxwell Marine International Ltd. This drawing must not be used for any other purpose other than that for which it was originally supplied.

Description		Assy No.
MAXset Bow Roller 4~6kg Bead Blast Finish		P105074
MAXset Bow Roller 4~6kg Mirror Polish Finish		P105075

Rev.	Change	Made on	Des/Dwn	Checked
0.06	Initial Issue	27/05/14	CP	PC
0.07	Bow Roller Loop Change from inside to outside of the side wall.	04/07/14	Peter Chiu	CP
1.00	Update to Production version 1.00	10/07/14	Peter Chiu	CP

Sht Size	Scale	Dwg Type	Sheet	Description	Pbv/Dwg No.
A4	1:4.5	?	1 of 2	MAXset Bow Roller 4~6Kg with 6Kg Anchor	P105074



This drawing is protected by copyright and the design and or details contained therein are the confidential property of MAXWELL MARINE INTERNATIONAL LTD. This drawing must be returned upon demand and must not be copied, loaned or have its contents communicated to any other persons, including subcontractors, without the consent in writing from Maxwell Marine International Ltd. This drawing must not be used for any other purpose other than that for which it was originally supplied.

Description		Assy No.
MAXset Bow Roller 4~6kg Bead Blast Finish		P105074
MAXset Bow Roller 4~6kg Mirror Polish Finish		P105075

Rev.	Change	Made on	Des/Dwn	Checked
0.06	Initial Issue	27/05/14	CP	PC
0.07	Bow Roller Loop Change from inside to outside of the side wall.	04/07/14	Peter Chiu	CP
1.00	Update to Production version 1.00	10/07/14	Peter Chiu	CP

Sht Size	Scale	Dwg Type	Sheet	Description	Pbv/Dwg No.
A4	1:4.25	?	2 of 2	MAXset Bow Roller 4~6Kg with 4Kg Anchor	P105074